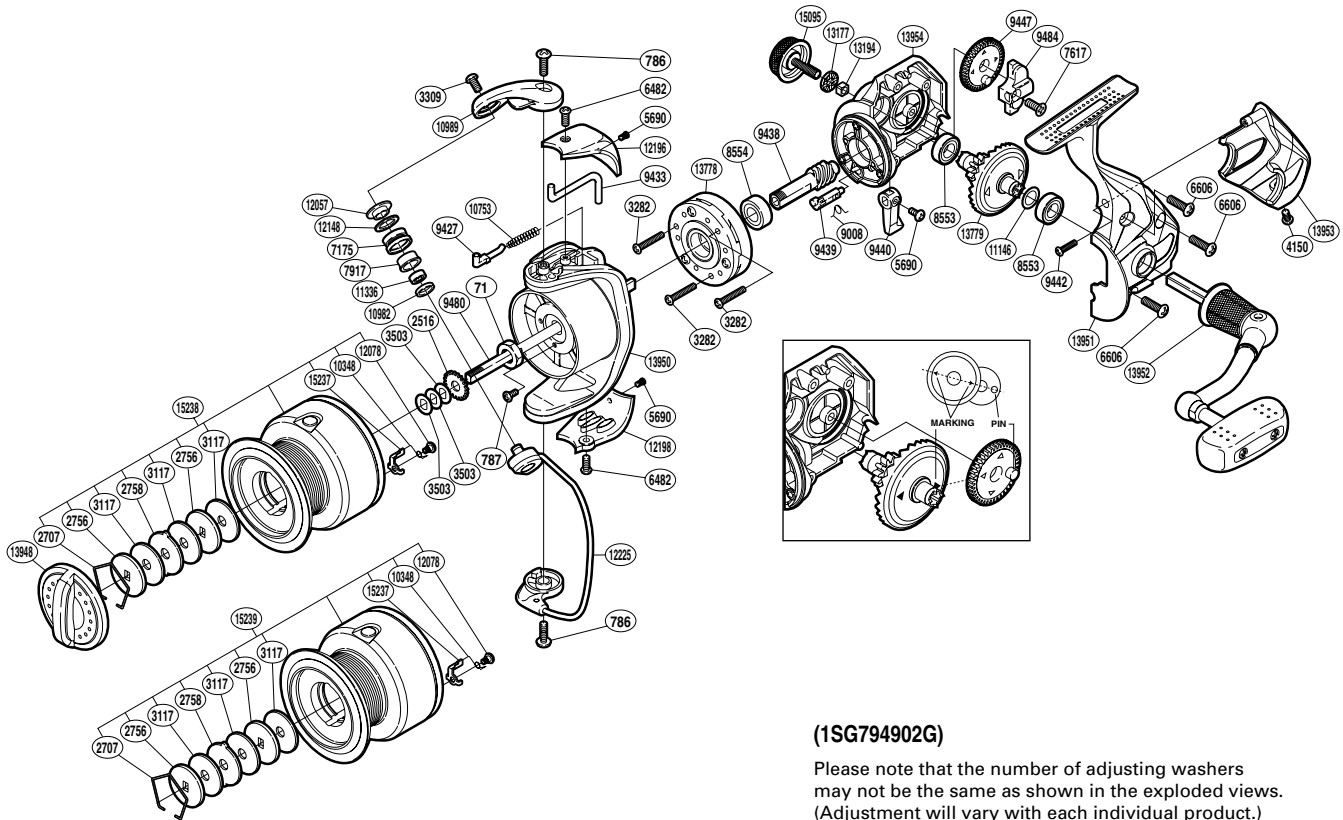


SHIMANO

EXAGE

EXG-C5000FC



(1SG794902G)

Please note that the number of adjusting washers may not be the same as shown in the exploded views. (Adjustment will vary with each individual product.)

Part No.	Description	Part No.	Description	Part No.	Description
RD 0071	Rotor Nut	RD 8554	Ball Bearing	RD12148	Line Roller Spacer
RD 0786	Screw	RD 9008	Anti-Reverse Cam Spring	RD12196	Bail Spring Cover
RD 0787	Screw	RD 9427	Bail Spring Guide	RD12198	Bail Hold Support Guard
RD 2516	Spool Support	RD 9433	Bail Trip Lever	RD12225	Bail Assembly
RD 2707	Drag Washers Retainer	RD 9438	Pinion Gear	RD13177	Handle Screw Cap Spacer
RD 2756	Key Washer	RD 9439	Anti-Reverse Cam	RD13194	Handle Screw Lock
RD 2758	Eared Washer	RD 9440	Anti-Reverse Lever	RD13778	Roller Clutch Assembly
RD 3117	Drag Washer	RD 9442	Screw	RD13779	Drive Gear
RD 3282	Screw	RD 9447	Oscillating Gear	RD13948	Drag Knob
RD 3309	Screw	RD 9480	Main Shaft	RD13950	Rotor
RD 3503	Spool Washer	RD 9484	Oscillating Slider	RD13951	Side Cover
RD 4150	Screw	RD10348	Click Spring	RD13952	Handle Assembly
RD 5690	Screw	RD10753	Bail Spring	RD13953	Rear Protector
RD 6482	Screw	RD10982	Bearing Spacer	RD13954	Body
RD 6606	Screw	RD10989	Bail Arm	RD15095	Handle Screw Cap
RD 7175	Line Roller	RD11146	Washer	RD15237	Drag Click
RD 7617	Screw	RD11336	Ball Bearing	RD15238	Spool Assembly
RD 7917	Line Roller Bushing	RD12057	Line Roller Washer		
RD 8553	Ball Bearing	RD12078	Screw	RD15239	Spare Spool Assembly